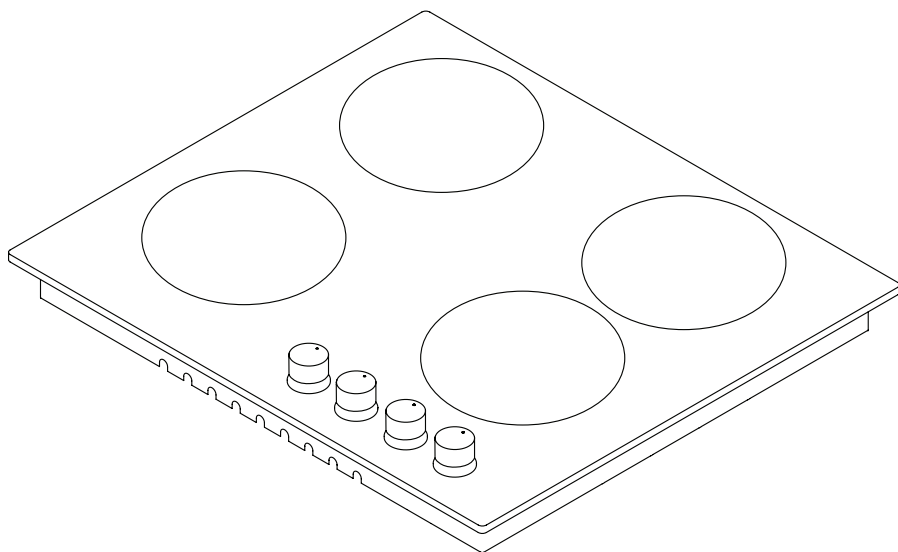


# BUILT-IN COOKTOP

Gas and electric cooktop

Estufa de mesa de gas y eléctrica



**USER MANUAL** **GB**  
**MANUAL DEL USUARIO** **ES**

**Dear User,**

Our objective is to make this product provide you with the best output which is manufactured in our modern facilities in a careful working environment, in compliance with total quality concept.

Therefore, we suggest you to read the user manual carefully before using the product and, keep it permanently at your disposal.

**Note:** This user manual is prepared for more than one model. Some of the features specified in the Manual may not be available in your appliance.

All our appliances are only for domestic use, not for commercial use.

Products marked with (\*) are optional.

**“Conforms with the WEEE Regulations.”**

## Contents

Important warnings.....	4
Electrical connection.....	13
Gas connection.....	14
Introduction of the appliance.....	17
Technical features.....	18
Installation of cooktop.....	20
Counter cutting sizes.....	23
Control panel.....	24
Usage of your cooktop.....	25
Maintenance and cleaning.....	28
Troubleshooting.....	29
Handling rules.....	30
Environmentally-friendly disposal.....	30
Package information.....	30

## IMPORTANT WARNINGS

1. Installation and repair should always be performed by **“AUTHORIZED SERVICE”**. Manufacturer shall not be held responsible for operations performed by unauthorized persons.
2. Please read this operating instructions carefully. Only by this way you can use the appliance safely and in a correct manner.
3. The cooker should be used according to operating instructions.
4. Keep children below the age of 8 and pets away when operating.
5. **WARNING: Fire hazard; do not store the materials on the cooking surface.**
6. **WARNING: The appliance and its accessible parts are hot during operation.**
7. Setting conditions of this device are specified on the label. (Or on the data plate)
8. The accessible parts may be hot when the grill is used. Small children should be kept away.
9. **WARNING: This appliance is intended for cooking. It should not be used for other purposes like heating a room.**
10. To clean the appliance, do not use steam cleaners.
11. NEVER try to put out the fire with water. Only shut down the device circuit and then cover the flame with a cover or a fire blanket.

**12.** Children under 8 years of age should be kept away, if they cannot be monitored continuously.

**13.** Touching the heating elements should be avoided.

**14. CAUTION: Cooking process shall be supervised. Cooking process shall always be supervised.**

**15.** The appliance is not suitable for use with an external timer or a separate remote control system.

**16.** This device can be used by children over 8 years of age, people with physical, hearing or mental challenges or people with lack of experience or knowledge; as long as control is ensured or information is provided regarding the dangers.

**17.** This device has been designed for household use only.

**18.** Children must not play with the appliance. Cleaning or user maintenance of the appliance shall not be performed by children unless they are older than 8 years and supervised by adults.

**19.** Keep the appliance and its power cord away from children less than 8 years old.

**20.** Put curtains, tulle, paper or any flammable (ignitable) material away from the appliance before starting to use the appliance. Do not put ignitable or flammable materials on or in the appliance.

**21.** Keep the ventilation channels open.

**22.** Do not heat closed cans and glass jars. The pressure may lead jars to explode.

**23.** Do not use the product in states like medicated and/or under influence of alcohol which may affect your ability of judgement.

**24.** After each use, check if the unit is turned off.

**25.** Be careful when using alcohol in your foods. Alcohol will evaporate at high temperatures and may catch fire to cause a fire if it comes in contact with hot surfaces.

**26.** If the appliance is faulty or has a visible damage, do not operate the appliance.

**27.** Do not put objects that children may reach on the appliance.

**28.** The packaging materials are dangerous for children. Keep packaging materials away from the reach of children.

**29.** Cooker supply can be disconnected during any construction work at home. After completing the work, re-connecting the cooker shall be done by authorized service.

**30.** Do not place metal utensils such as knife, fork, spoon on the surface of the appliance, since they will get hot.

**31.** To prevent overheating, the appliance should not be installed behind of a decorative cover.

**32.** Turn off the appliance before removing the safeguards. After cleaning, install the safeguards according to instructions.



33. Cable fixing point shall be protected.

34. **CAUTION: If the glass of the stove is broken, turn off any heating element immediately and disconnect the appliance from power source, do not touch the surface of the appliance and do not use the appliance.**

35. User should not handle the cooker by himself.

36. Use shall be careful when cleaning gas burners. It may cause personal injuries.

37. Since the hob is hot during cooking or right after cooking, scalding may occur due to extreme temperature and steam.

38. When not turning of the cooker during cooking, user can touch hot surfaces causing burns.


39. If heavier loads are places on the cooker, these loads can trip over. It may cause personal injuries.

40. Allow disconnection of the appliance after installation, by accessible plug or a switch in the fixed wiring, unless.

## Electrical Safety

1. Plug the appliance in a grounded socket protected by a fuse conforming to the values specified in the technical specifications chart.
2. Have an authorized electrician set grounding equipment. Our company shall not be responsible for the damages that shall be incurred due to using the product without grounding according to local regulations.
3. **WARNING: If the surface is cracked, turn off the appliance to avoid risk of electric shock.**
4. Never wash the appliance by spraying or pouring water on it. There is a risk of electrocution.
5. Do not touch the plug with wet hands. Do not pull the cord to plug off, always hold the plug.
6. Unplug the unit during installation, maintenance, cleaning and repair.
7. Make sure the plug is inserted firmly into wall socket to avoid sparks.
8. If the power supply cord (the cord with plug) is damaged, this cord shall be replaced by the manufacturer or its service agent or an equally qualified personnel to prevent a hazardous situation.
9. Do not use cut or damaged cords or extension cords other than the original cord.
10. Do not use steam cleaners for cleaning the appliance, otherwise electric shock may occur.





**11.** Make sure there is no liquid or humidity in the outlet where the product plug is installed.

**12.** An omnipolar switch capable to disconnect power supply is required for installation. Disconnection from power supply shall be provided with a switch or an integrated fuse installed on fixed power supply according to building code.

**13.** The power supply cord (the cord with plug) shall not contact the hot parts of the appliance.

**14.** Unplug the unit during installation, maintenance, cleaning and repair.

**15.** Appliance is equipped with a **type “Y”** cord cable.

**16.** The circuit breaker switches of the cooker shall be placed so that end user can reach them when the cooker is installed.

**17.** Fixed connections shall be connected to a power supply enabling omnipolar disconnection. For appliances with over voltage category below III, disconnection device shall be connected to fixed power supply according to wiring code.

**18.** Do not remove ignition switches from the appliance. Otherwise, live electric cables can be accessed. It may cause an electric shock.

## Gas Safety

**1.** This appliance is not connected to burning products evacuation apparatus. This appliance must be connected and installed according to the installation regulations in force. Conditions regarding ventilation must be considered.


**2.** When a gas cooking appliance is used; humidity, heat and burning products are generated in the room. First of all, make sure the kitchen is well ventilated when operating the appliance and maintain natural ventilation openings or install a mechanical ventilation equipment.

**3.** After using the appliance heavily for an extended period of time, additional ventilation may be required. For example open a window or adjust a higher speed for mechanical ventilation, if any.

**4.** This appliance must be used only in well ventilated locations in accordance with the regulations in force. Please read the manual before installing or using this product.

**5.** Before positioning the appliance, make sure local network conditions (gas type and gas pressure) meets appliance requirements.

**6.** The mechanism cannot be run for longer than 15 seconds. If the burner is not on after 15 seconds, stop the mechanism and wait for at least one minute before trying to ignite the burner again.



**7.** All kinds of operations to be performed on gas installation must be performed by authorized and competent people.

**8.** This appliance is adjusted for natural gas (NG). If you have to use your product with a different gas type, you have to apply to authorized service for the conversion.

**9.** For proper operation, hood, gas pipe and clamp should be replaced periodically according to manufacturer recommendations and when required.

**10.** Gas should burn well in gas products. Well burning gas can be understood from blue flame and continuous burning. If gas does not burn sufficiently, carbon monoxide (CO) can be generated. Carbon monoxide is a colourless, odourless and very toxic gas; even small amounts have lethal effect.

**11.** Ask your local gas supplies about the phone numbers for emergencies related to gas and the measures to be taken upon gas odour is detected.

## **What To Do When Gas Odour Is Detected**

1. Do not use naked flame, and do not smoke.
2. Do not operate any electrical switch.  
(For example: lamp switch or doorbell)
3. Do not use telephone or mobile phone.
4. Open the doors and windows.
5. Close all valves on the appliances that utilize gas and the gas counters.
6. Check all hoses and their connections against leaks. If you still smell gas, leave the house and warn your neighbours.
7. Call fire brigade from a telephone outside the home.
8. Do not enter into the house until authorities clarify it is safe.

### **Intended Use**

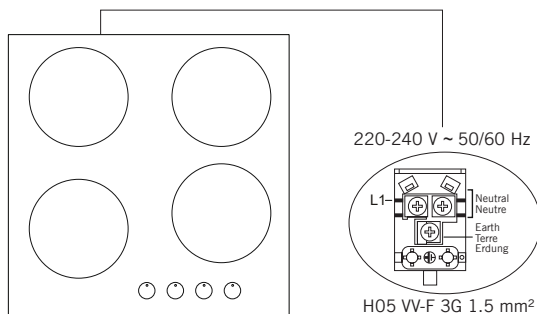
1. This product is designed for home use. Commercial use of the appliance is not permitted.
2. This appliance may only be used for cooking purposes. It shall not be used for other purposes like heating a room.
3. The manufacturer assumes no responsibility for any damage due to misuse or mishandling.
4. Operational life of the product you have purchased is 10 years. This is the period for which the spare parts required for the operation of this product as defined is provided by the manufacturer.

## Electrical Connection

1. Setting conditions of this appliance is indicated in tag or data plate.
2. Your appliance should be plugged in a fuse appropriate for electric power. If necessary, it is recommended that installation is done by authorized service.
3. Your appliance is configured in accordance with electrical supply of 220-240V 50/60Hz.
4. If main electrical network is different from these values, contact with your authorized service.
5. Electrical connections of your appliance should only be made to the fuses having suitably wired grounding (grounded) system. If no convenient fuse is available in the place where your appliance is to be installed, contact with authorized service immediately. Manufacturing firm is not responsible definitely for the damages that fuses whose grounding is not made and connected to the appliance can cause.
6. Plug of the appliance should be close to be accessed easily to the fuse whose grounding is made without use of extension cord.
7. Do not allow contacting the power cable of your appliance with hot regions. Similarly, keep away it from sharp edges and corners.
8. If feeder cord is damaged, this cord should be replaced either by manufacturer or its service agency or same degree qualified personnel in order to hinder a dangerous situation.
9. Wrong electrical connection may give damage to the appliance. In this case, your appliance will remain out of guarantee scope. Electrical connection of your appliance should be done by authorized service.

### Electrical connection scheme

Get electrical connection of your appliance done to authorized person in line with the following scheme.



## Gas Connection

**WARNING:** Before starting any work related with gas installation, turn off gas supply. Risk of explosion.

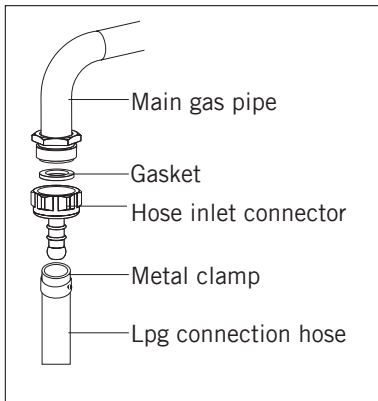
1. Connect your appliance to gas cock from the shortest way and in a manner to prevent any leakage. For safety, the hose used should be maximum 125 cm and minimum 40 cm.

2. While making gas leakage control; never use lighter, match, glowing cigarette or similar inflammable matter.

3. Apply soap bubble on connection point. If any leak/leakage exists, foaming will occur on soaped region.

4. If the cooktop is to be mounted on a cabinet or openable drawer, a heat protection panel having 15 mm minimum opening should be mounted under the cooktop.

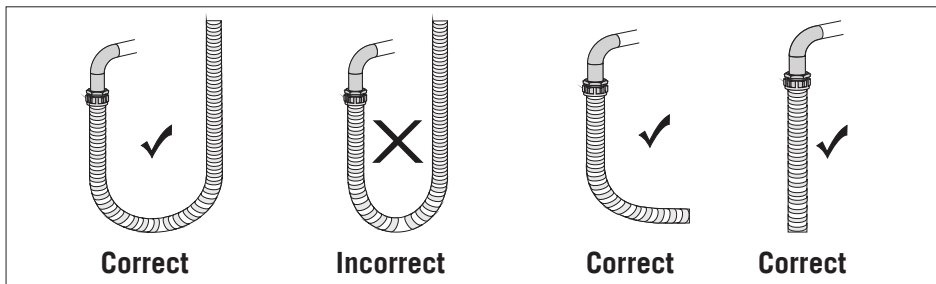
### For LPG connection;



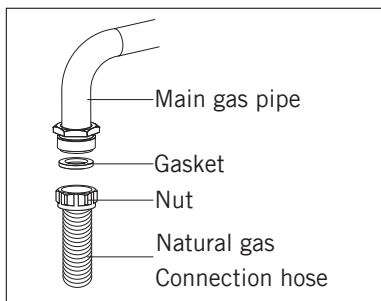
For LPG (cylinder) connection, affix metal clamp on the hose coming from LPG cylinder. Affix an edge of the hose on hose inlet connector behind the appliance by pushing to end through heating the hose in boiled water. Afterward, bring the clamp towards end section of the hose and tighten it with screwdriver. The gasket and hose inlet connector required for connection is as the picture shown below.

**NOTE:** The regulator to be affixed on LPG cylinder should have 300 mmSS feature.

**WARNING:** Gas hose and electric connection of the appliance should not pass next to hot areas such as back of the appliance. Gas hose should be connected by making wide angle turns against breaking possibility. Movement of appliance whose gas connection is made may cause gas leakage.



**For natural gas connection;**



**WARNING:** Natural gas connection should be done by authorized service.

For natural gas connection, place gasket in the nut at the edge of natural gas connection hose. To install the hose on main gas pipe, turn the nut. Complete the connection by making gas leakage control.

### Transformation from natural gas to LPG and from LPG to natural gas

1. Turn off gas and electricity of the cooktop. If your cooktop is hot, wait for cooling down.
2. For injector change, use a screwdriver whose edge is as the figure 1.
3. As seen in figure 2, demount burner lid and burner of the cooktop and ensure visibility of injector.
4. Remove injector by turning as shown in figure 3 with screwdriver and replace it with a new one.

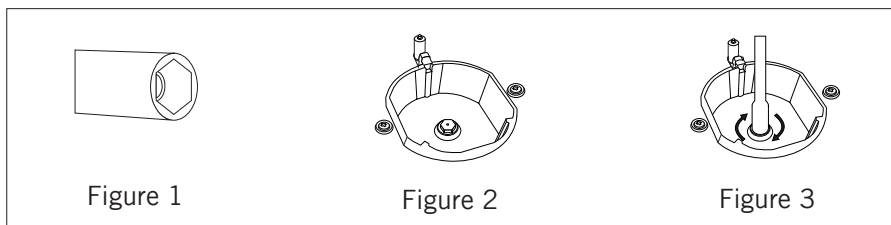


Figure 1

Figure 2

Figure 3

5. After that, detach control switches of the cooktop. Make setting by turning the screw in the middle of gas cocks with a small screwdriver in the manner shown in the following picture. To adjust flow rate screw, use a screwdriver having suitable dimension. For LPG, turn the screw clockwise. For natural gas, turn the screw one time counter clockwise. At low position, length of normal flame should be 6-7 mm. For the last control, check out whether flame is open or closed.

Setting of your appliance may differ according to the type of gas cock used.

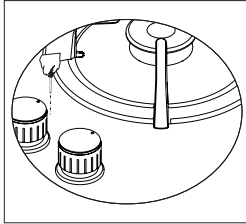


Figure 4

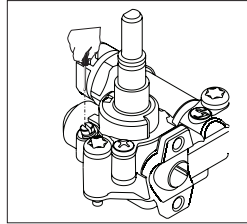


Figure 5

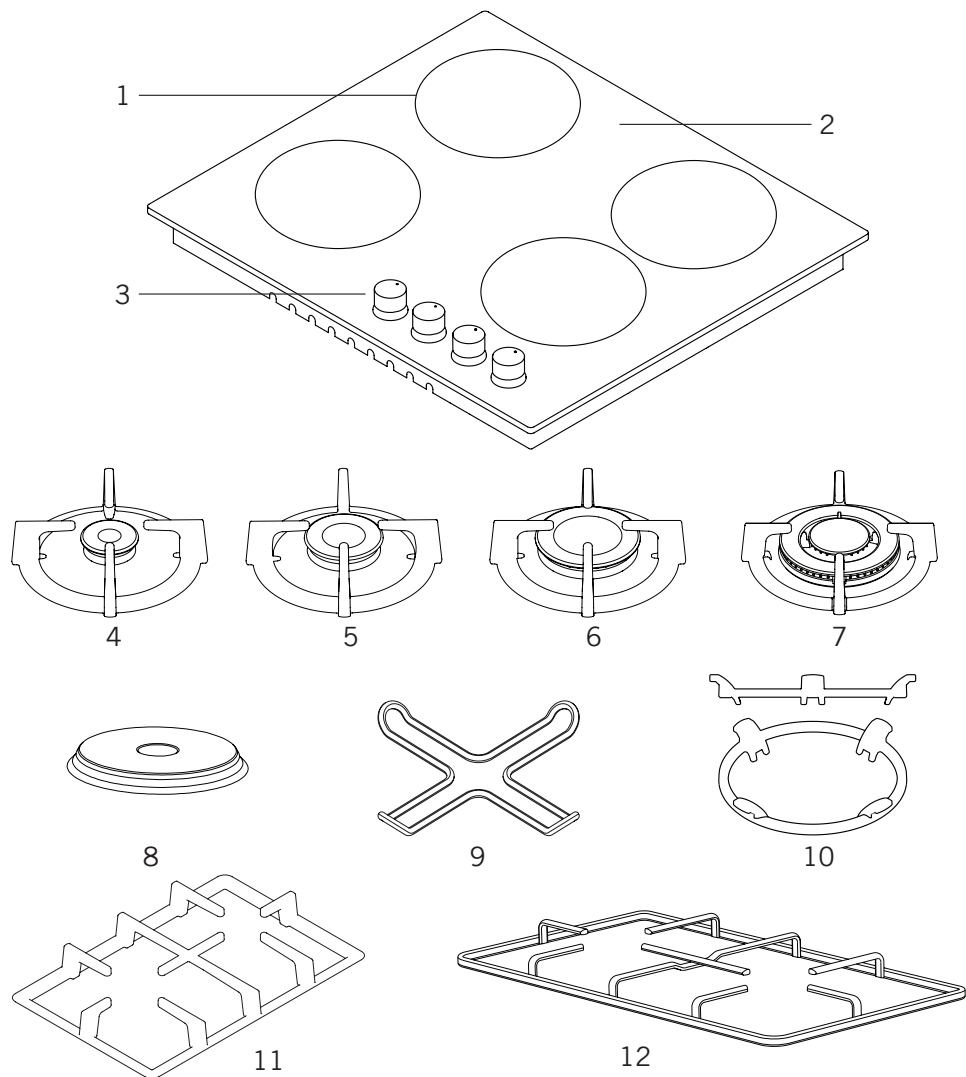
## Ventilation Of Room

The air needed for burning is received from room air and the gases emitted are given directly in room. For safe operation of your product, good room ventilation is a precondition. If no window or room to be utilized for room ventilation is available, additional ventilation should be installed. However, room has a door opening outside, it is no needed to vent holes.

Room size	Ventilating opening
Smaller than 5 m <sup>3</sup>	min. 100 cm <sup>2</sup>
Between 5 m <sup>3</sup> - 10 m <sup>3</sup>	min. 50 cm <sup>2</sup>
Bigger than 10 m <sup>3</sup>	no need
In basement or cellar	min. 65 cm <sup>2</sup>



## INTRODUCTION OF THE APPLIANCE



1. Burner positions
2. Glass or metal surface
3. Control buttons
4. Small burner
5. Medium burner
6. Large burner

7. Wok burner \*
8. Hotplate \*
9. Coffee adaptor \*
10. Wok burner adaptor \*
11. Cast grill
12. Enamel grill

## Technical Features

You can operate electric cooktops by turning the button on control panel you want to use to the level you desire. Cooktop powers as per levels are given in the following table.

Specifications	Level 1	Level 2	Level 3	Level 4	Level 5	Level 6
Ø80 mm hotplate	200 W	250 W	450 W	---	---	---
Ø145 mm hotplate	250 W	750 W	1000 W	---	---	---
Ø180 mm hotplate	500 W	750 W	1500 W	---	---	---
Ø145 mm rapid hotplate	500 W	1000 W	1500 W	---	---	---
Ø180 mm rapid hotplate	850 W	1150 W	2000 W	---	---	---
Ø145 mm hotplate	95 W	155 W	250 W	400 W	750 W	1000 W
Ø180 mm hotplate	115 W	175 W	250 W	600 W	850 W	1500 W
Ø145 mm rapid hotplate	135 W	165 W	250 W	500 W	750 W	1500 W
Ø180 mm rapid hotplate	175 W	220 W	300 W	850 W	1150 W	2000 W
Supply voltage	220-240 V 50/60 Hz.					

## Injector, gas flow and power table

Burner Specifications	G20,20 mbar G25,25 mbar			G20,25 mbar		G20,13 mbar	
	Gas natural			Gas natural		Gas natural	
Wok burner (3,5)	Injector	1,40	mm	1,28	mm	1,60	mm
	Gas flow	0,333	m <sup>3</sup> /h	0,333	m <sup>3</sup> /h	0,333	m <sup>3</sup> /h
	Power	3,50	kW	3,50	kW	3,50	kW
Wok burner (2,5)	Injector	1,15	mm	1,06	mm	1,35	mm
	Gas flow	0,243	m <sup>3</sup> /h	0,243	m <sup>3</sup> /h	0,243	m <sup>3</sup> /h
	Power	2,50	kW	2,50	kW	2,50	kW
Rapid burner	Injector	1,15	mm	1,10	mm	1,45	mm
	Gas flow	0,276	m <sup>3</sup> /h	0,276	m <sup>3</sup> /h	0,276	m <sup>3</sup> /h
	Power	2,90	kW	2,90	kW	2,90	kW
Semi-Rapid burner	Injector	0,97	mm	0,92	mm	1,10	mm
	Gas flow	0,162	m <sup>3</sup> /h	0,162	m <sup>3</sup> /h	0,162	m <sup>3</sup> /h
	Power	1,70	kW	1,70	kW	1,70	kW
Auxiliary burner	Injector	0,72	mm	0,70	mm	0,85	mm
	Gas flow	0,96	m <sup>3</sup> /h	0,96	m <sup>3</sup> /h	0,96	m <sup>3</sup> /h
	Power	0,95	kW	0,95	kW	0,95	kW

Burner Specifications	G30,28-30 mbar G31,37 mbar			G30,50 mbar		G30,37 mbar	
	LPG			LPG		LPG	
Wok burner (3,5)	Injector	0,96	mm	0,76	mm	0,96	mm
	Gas flow	254	g/h	254	g/h	254	g/h
	Power	3,50	kW	3,50	kW	3,50	kW
Wok burner (2,5)	Injector	0,82	mm	0,73	mm	0,78	mm
	Gas flow	182	g/h	182	g/h	182	g/h
	Power	2,50	kW	2,50	kW	2,50	kW
Rapid burner	Injector	0,85	mm	0,75	mm	0,85	mm
	Gas flow	211	g/h	211	g/h	211	g/h
	Power	2,90	kW	2,90	kW	2,90	kW
Semi-Rapid burner	Injector	0,65	mm	0,60	mm	0,65	mm
	Gas flow	124	g/h	124	g/h	124	g/h
	Power	1,70	kW	1,70	kW	1,70	kW
Auxiliary burner	Injector	0,50	mm	0,43	mm	0,50	mm
	Gas flow	69	g/h	69	g/h	69	g/h
	Power	0,95	kW	0,95	kW	0,95	kW

**WARNING:** Diameter values written on the injector are specified without a comma. For example; The diameter of 1,70 mm is specified as 170 on the injector.

**WARNING:** For the modification to be done by authorized service, this table should be considered. Manufacturer may not be held responsible for any problems rising because of any faulty modification.

**WARNING:** In order to increase the product quality, the technical specifications may be changed without prior notice.

**WARNING:** The values provided with the appliance or its accompanying documents are laboratory readings in accordance with the respective standards. These values may differ depending on the use and ambient conditions.

## INSTALLATION OF COOKTOP

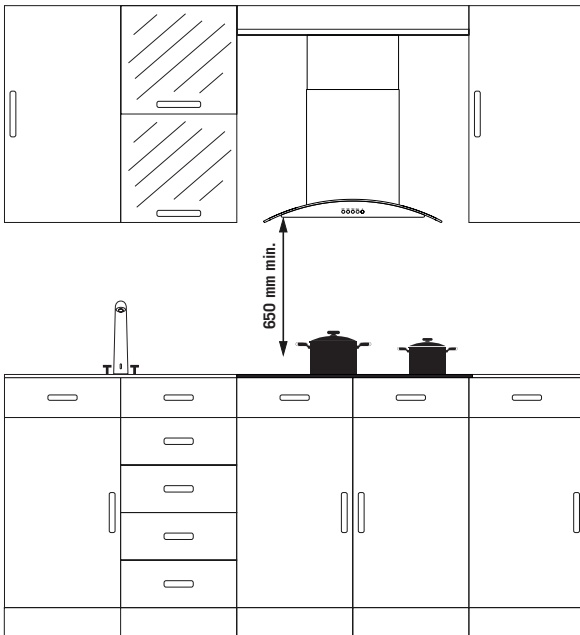
Check if the electrical installation is proper to bring the appliance in operating condition. If electricity installation is not suitable, call an electrician and plumber to arrange the utilities as necessary. Manufacturer shall not be held responsible for damages caused by operations performed by unauthorized persons.

**WARNING:** It is customer's responsibility to prepare the location the product shall be placed on and also to have the electrical installation prepared.

**WARNING:** The rules in local standards about electrical installations shall be followed during product installation.

**WARNING:** Check for any damage on the appliance before installing it. Do not have the product installed if it is damaged. Damaged products cause a risk for your safety.

### Correct Place For Installation



Product is designed in accordance with the kitchen counters supplied from market. A safe distance should be left between the product and kitchen walls and furniture. If hood/aspirator will be installed over your appliance, obey to the recommendation of hood / aspirator manufacturer for assembly height. (min. 65 cm)

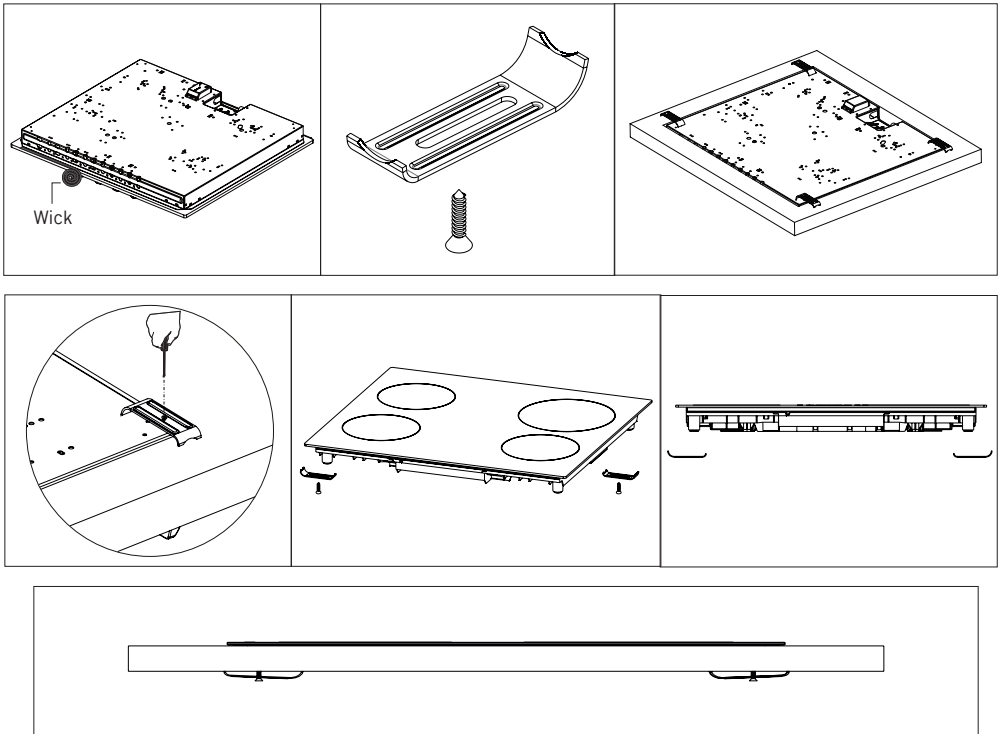
The gap that cooktop is to be placed on the counter should be cut in line with cooktop installation dimensions.

For installation of the product, the rules specified in local standards related to electricity should be complied.

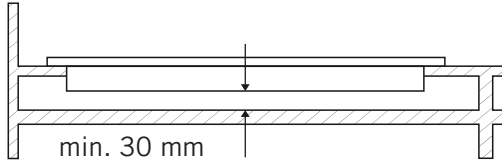
## Installation

1. Detach the burners, burner hoods and grills from the product.
2. Turn the cooktop down and place on smooth ground.
3. In order to prevent entrance of foreign substances and liquids between cooktop and counter, apply the paste given in package to the sides of lower guard of counter. For corners, curl paste and increase curls till filling corner gaps.
4. Turn cooktop again and align with and place on counter.
5. Fasten up your cooktop on counter by using the clamp and screws supplied.

## Installation Diagram



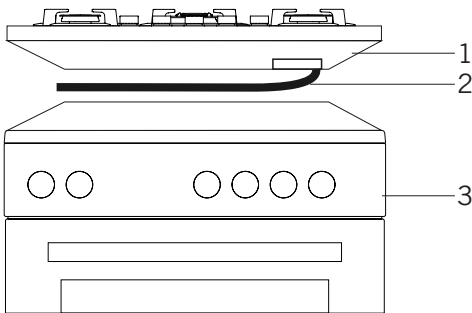
**6.** When product is mounted on a drawer, if it is possible to touch lower side of product, this section should be separated with a wooden shelf.



**7.** While mounting cooktop on a closet, as shown in the figure above, in order to separate between closet and cooktop, a shelf should be mounted. If it is mounted on a built-in oven, there is no need to do that.

**8.** If your cooktop will be mounted next to right or left wall, the minimum distance between wall and cooktop should be 50 mm.

### **If Built-In Oven Is Placed Under Cooktop;**

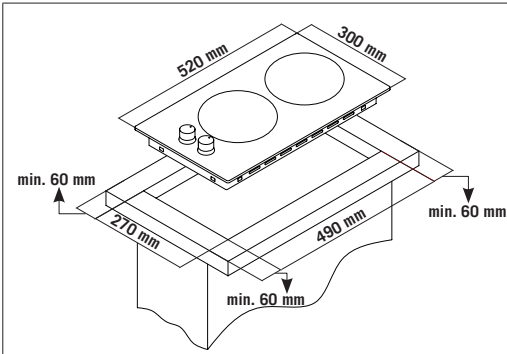


- 1.** Cooktop
- 2.** Hose
- 3.** Oven

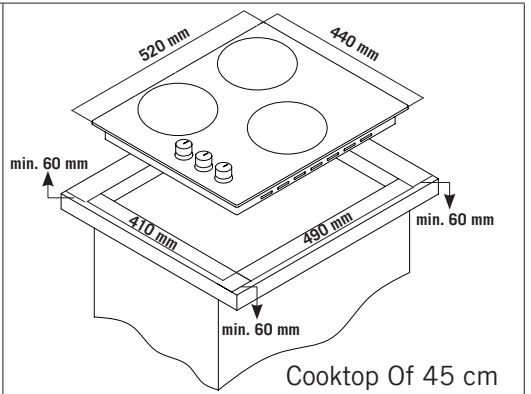
Gas pipe should be affixed in a way not to touch the oven below, sharp edges and corners, not to be pulled in a manner to be twisted and strained. Make gas connection from right part of the cooktop, fasten the hose by use of clamp.

## Counter Cut-Off Dimensions

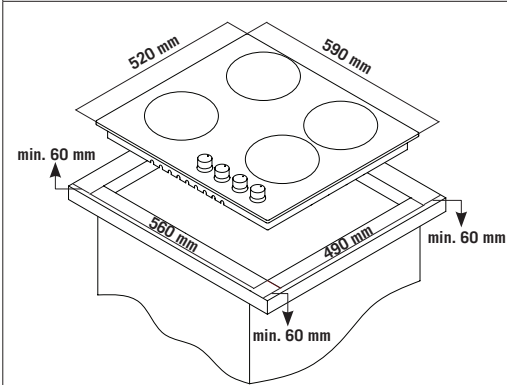
Pay attention to the drawings and dimensions given below while making cooktop installation and adjusting counter cutting sizes.



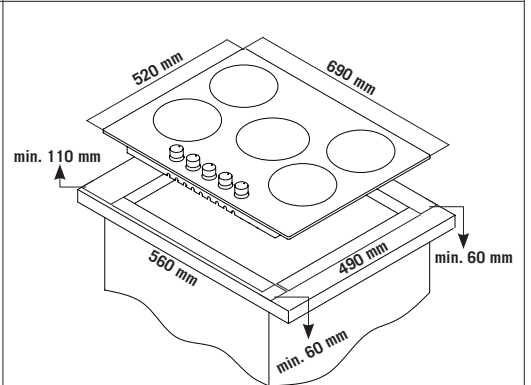
Cooktop Of 30 cm



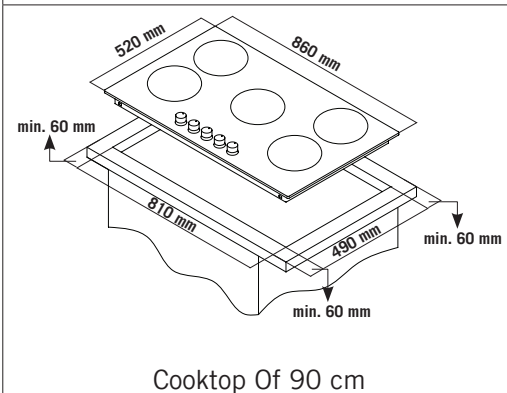
Cooktop Of 45 cm



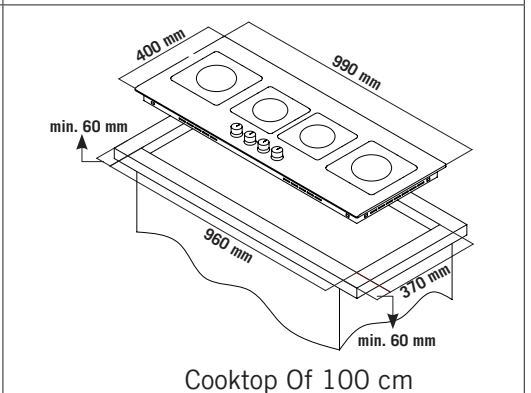
Cooktop Of 60 cm



Cooktop Of 70 cm



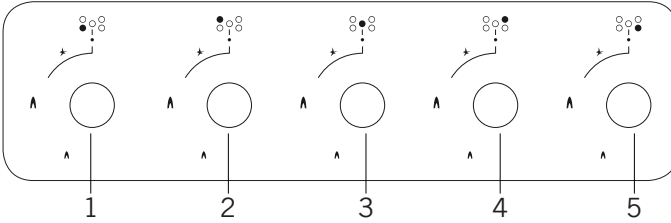
Cooktop Of 90 cm



Cooktop Of 100 cm

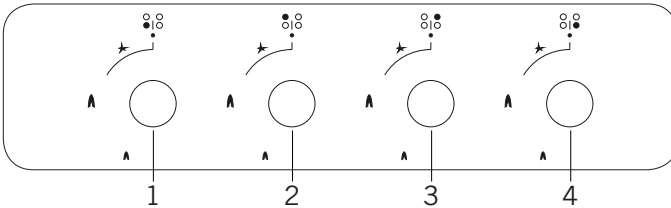
## CONTROL PANEL

### Cooktop Panel Visual Of 70-90 cm And 100 cm



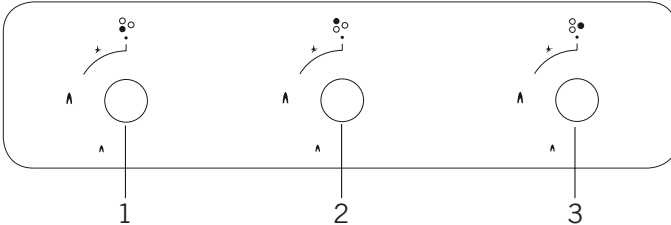
1. Front left burner
2. Rear left burner
3. Wok burner
4. Rear right burner
5. Front right burner

### Cooktop Panel Visual Of 60 cm



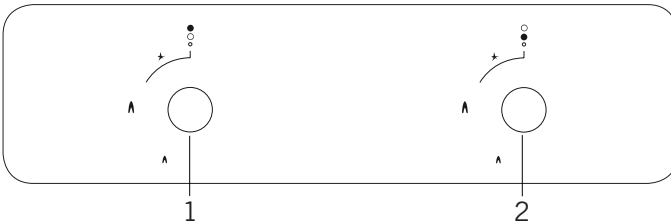
1. Front left burner
2. Rear left burner
3. Rear right burner
4. Front right burner

### Cooktop Panel Visual Of 45 cm



1. Lower left burner
2. Upper left burner
3. Right burner

### Cooktop Panel Visual Of 30 cm



1. Lower burner
2. Upper burner

**WARNING:** The control panels above is only for illustration purposes. Consider the control panel on your device.



## USAGE OF YOUR COOKTOP

1. Before starting to use your cooktop, be sure burner hoods are at correct position. Correct placement of burner hoods are shown in the following figure.

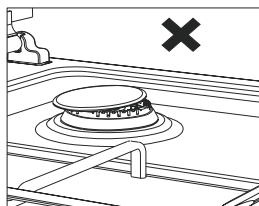


Figure 6

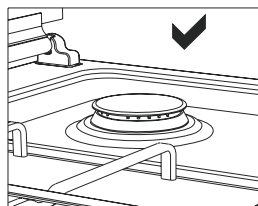
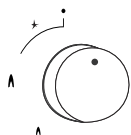


Figure 7

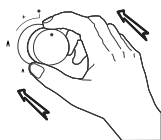
2. Gas cocks have a special locking mechanism. Therefore, to operate cooktop zone, press button by pushing ahead and while opening or closing the cock, hold down the button.

● Closed  Fully open  Half open

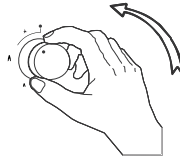
3. For automatic igniting models, igniting is realized via electricity. Therefore, before operating appliance, be sure that appliance has electric connection. Igniting for these models is as follows.



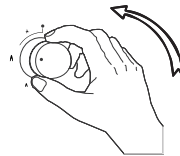
Cooktop cock is at closed position.



To ignite cooktop, firstly press the button towards ahead.



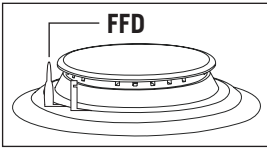
While holding down the button, lighter steps in and starts to ignition.



By turning the button left while holding down, you can provide ignition at flame length you want.

4. Pay attention that cooktop grills are placed on cooktop table completely. In case of failure about this matter can cause pouring of the materials to be put on that.

5. For the models having gas putting out safety, following realizing ignition procedure according to the guidelines above, wait for 5-10 seconds by pushing button ahead without keeping your hands off. Safety mechanism will step in this duration and ensures operation of the cooktop. With regard to gas putting out appliance, gas cock cuts the gas going to cooktop zone in case of putting out of cooktop flame due to any reason.



**6. Flame cut-off safety device (FFD) \***; operates instantly when safety mechanism activates due to overflowed liquid over upper hobs.

**7.** While using coffee pot apparatus supplied along with the cooktop, be sure that feet of apparatus are placed on cooktop grill exactly and remain on cooktop zone in centred way. Use the apparatus only on small burner.

**8.** While utilizing gas cooktops, use saucepan, placed on cooktop surface as far as possible. Thanks to that, you can save energy. In the following table, cooking pot diameters recommended to be used as per burners are given. Characteristic of Wok cooktop zone is to cook quickly.

**9.** Ensure that the grates are fully seated on the cooktop plate. If the grate is not properly seated, this may cause spillage of materials placed on it.

**10.** Place the pots and pans so that their handles are not placed above the hobs to prevent heating of the handles.

**11.** Place suitable amount of food to the pots and pans. Thus, you may prevent overflowing of meals and avoid unnecessary cleaning.

**12.** The size of the container and the gas flame shall match each other. Set gas flames so that they do not extend further than the base of the container.

**13.** Do not use containers that are unstable and that may be easily tipped over on the cooktop.

**14.** Do not put empty pots and pans on the hobs with their flames on.

**15.** Always turn off the hobs after each use.

**16.** Do not put containers that may be affected by heat on the product.

**17.** Do not operate the hobs without any pots and pans placed on them.

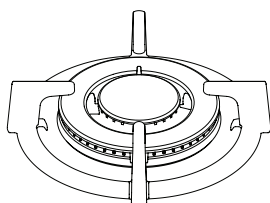
**18.** Do not place the lids of the pots and pans on the hobs.

**19.** When you want to put the pot on another hob, take the pot up and place it again instead of sliding it.

**20.** Keep the lid of container you use for heating oil open.

**21.** Do not put oil with a volume more than one third of the pan. Do not leave the oil unattended when the oil is being heated. Extremely hot oils may cause fire.

## Wok Burner \*



As it possesses double ring flame system, it gives homogenous heat distribution at the bottom of cooking pot at high temperature. It is ideal for short term and high temperature cooking. When you want to use regular cooking pot on wok burner, it is necessary that you remove wok cooking pot carrier from cooktop.

## Pot Sizes

Recommended pot diameters to be used are provided in the following tables.

Glass hobs	30 cm hobs	45 cm hobs	60 cm hand control	60 cm control front	70 cm control front	90 cm control front
Small burner	12-18 cm	12-18 cm	12-18 cm	12-18 cm	12-18 cm	12-18 cm
Middle burner	---	18-20 cm	18-20 cm	18-20 cm	18-20 cm	18-22 cm
Big burner	18-24 cm	22-24 cm	22-24 cm	22-24 cm	22-24 cm	22-26 cm
Wok burner	24-26 cm	---	24-26 cm	24-26 cm	24-26 cm	26-30 cm

Metal hobs	30 cm hobs	45 cm hobs	60 cm hand control	60 cm control front	70 cm control front	90 cm control front
Small burner	12-18 cm	12-18 cm	12-18 cm	12-18 cm	12-18 cm	12-18 cm
Middle burner	---	18-20 cm	18-20 cm	18-20 cm	18-20 cm	18-22 cm
Big burner	18-22 cm	22-24 cm	22-26 cm	22-24 cm	22-24 cm	22-26 cm
Wok burner	24-26 cm	24-26 cm	24-26 cm	24-26 cm	24-26 cm	26-32 cm

**WARNING:** Cooking pot to be used with products should have minimum 120 mm diameter.



Splashes and overflow may cause damage to the cooktop surface and fire.



Do not use containers with convex or concave bases.



If the diameter of the pot is smaller than the diameter of the hob, this shall waste energy.



Use pots and pans with flat bases only.

## MAINTENANCE AND CLEANING

Before starting to maintenance or cleaning, firstly unplug the plug supplying electricity to cooktop and turn down gas valve. If cooktop is hot, wait for cooling down.

**1.** For the purpose that your cooktop has long and economic life, regular cleaning and maintenance should be performed on your cooktop.

**2.** Do not clean your cooktop with scratching tools such as bristle brush, wire wool or knife. Do not use abrasive, scratching, acid materials or detergent.

**3.** Following mopping parts of your cooktop with soapy cloth, rinse it, later rinse well with a soft cloth.

**4.** Clean glass surfaces with special glass cleaning substances. As scratching of glass surfaces leads to breaking, while cleaning glass surfaces, do not use abrasive cleaners or sharp metal scrapers.

**5.** Do not clean your cooktop with steamy cleaners.

**6.** Clean channels and lids of cooktop zones with soapy water and clean gas channels with a brush.

**7.** In the course of cleaning your cooktop, never use flammable materials such as acid, thinner and gas.

**8.** Do not wash plastic and aluminium parts of your cooktop in dishwasher.

**9.** Clean vinegar, lemon, salt, coke and similar acid and alkaline containing substances poured on your cooktop immediately.

**10.** In time, cooktop buttons turns hard or never turn any more, in such circumstances, it may be necessary that buttons are changed. The change should only be done by authorized service.

## TROUBLESHOOTING

You may solve the problems you may encounter with your product by checking the following points before calling the technical service.

### Check Points

In case you experience a problem about the cooker, first check the table below and try out the suggestions.

Problem	Possible cause	Remedy
<b>No Ignition.</b>	No sparks.	Check power supply.
	Cooker cover is not fitted properly.	Fit the cover properly.
	Gas supply is closed.	Fully open gas supply.
<b>Not Proper Ignition.</b>	Gas supply not fully open.	Fully open gas supply.
	Cooker cover is not fitted properly.	Fit the cover properly.
	Ignition plug is clogged with foreign materials.	Wipe off foreign materials with a cloth.
	Hobs are wet.	Carefully dry the hobs.
	Flame spreader holes are clogged.	Clean the flame spreader.
<b>Noise coming when burning or during ignition.</b>	Cooker cover is not fitted properly.	Fit the cover properly.
<b>Flame turns off during operation.</b>	Flame observer device is clogged by foreign material.	Clean flame observer device.
	Overflow food turns off the flame.	Switch off the hob. Wait for one minute and ignite again.
	A strong air flow turns off the flame.	Please check related hob and check the cooking area for air flows, for example, from an open window. Wait for one minute and ignite again.
<b>Yellow flame.</b>	Flame spreader holes are clogged.	Clean the flame spreader.
	Different gas is being used.	Check the gas being used.
<b>Unstable flame.</b>	Cooker cover is not fitted properly.	Fit the cover properly.
<b>Gas odour.</b>	Hob spout left open.	Check if any hob spouts are left open.
	Leakage from connection of gas cylinder to cooker.	Make sure connections are leak-proof.
<b>Lighter not operating.</b>	Tips or body of ignition plugs are clogged.	Clean tips or body of ignition plugs of gas burners.
	Gas burner pipes are clogged.	Clean gas burner pipes.

## HANDLING RULES

1. Carry out the movement and transportation in the original packaging.
2. Pay maximum attention to the appliance while loading/unloading and handling.
3. Make sure that the packaging is securely closed during handling and transportation.
4. Protect from external factors (such as humidity, water, etc.) that may damage the packaging.
5. Be careful not to damage the appliance due to bumps, crashes, drops, etc. while handling and transporting and not to break or deform it during operation.

## ENVIRONMENTALLY-FRIENDLY DISPOSAL



Dispose of packaging in an environmentally-friendly manner.

This appliance is labelled in accordance with European Directive 2012/19/EU concerning used electrical and electronic appliances (waste electrical and electronic equipment - WEEE). The guideline determines the framework for the return and recycling of used appliances as applicable throughout to the EU.

## PACKAGE INFORMATION

Packaging materials of the product are manufactured from recyclable materials in accordance with our National Environment Regulations. Do not dispose of the packaging materials together with the domestic or other wastes. Take them to the packaging material collection points designated by the local authorities.

## **Estimados Usuarios,**

Nuestro objetivo es hacer que este producto le proporcione el mejor resultado que se fabrica en nuestras instalaciones modernas en un entorno de trabajo cuidadoso, en conformidad con el concepto de calidad total.

Por lo tanto, le sugerimos que lea el manual del usuario detenidamente antes de usar el producto y que lo tenga permanentemente a su disposición.

**Nota:** Este manual de usuario está preparado para más de un modelo. Algunas de las características especificadas en el manual pueden no estar disponibles en su dispositivo.

Todos nuestros electrodomésticos son solo para uso doméstico, no para uso comercial.

Los productos marcados con (\*) son opcionales.

**“Cumple con las Regulaciones WEEE”.**

## Contenido

Advertencias importantes.....	33
Conexión eléctrica.....	42
Conexión de gas.....	43
Introducción del aparato.....	46
Características técnicas.....	47
Instalación de la placa de cocción.....	49
Tamaño del hueco en la encimera.....	52
Panel de control.....	53
Uso de su encimera.....	54
Mantenimiento y limpieza.....	58
Solución de problemas.....	59
Reglas de manipulación.....	60
Eliminación respetuosa con el medio ambiente.....	60
Información sobre el embalaje.....	60



## ADVERTENCIAS IMPORTANTES

1. La instalación y la reparación siempre deben ser realizadas por el **“SERVICIO AUTORIZADO”**. El fabricante no se hace responsable de las operaciones realizadas por personas no autorizadas.

2. Lea atentamente estas instrucciones de funcionamiento. Solo de esta manera puede usar el dispositivo de forma segura y correcta.

3. La placa se debe usar de acuerdo con las instrucciones de funcionamiento.

4. Mantenga a los niños menores de 8 años y a las mascotas alejados cuando opere.

5. **ADVERTENCIA: Peligro de incendio, no guarde los materiales en la superficie de cocción.**

6. **ADVERTENCIA: El aparato y sus partes accesibles están calientes durante la operación.**

7. Las condiciones de configuración de este dispositivo se especifican en la etiqueta. (O en la placa de datos)

8. Las partes accesibles pueden estar calientes cuando se usa la parrilla. Los niños pequeños deberían mantenerse lejos.

9. **ADVERTENCIA: Este aparato está diseñado para cocinar. No debe utilizarse para otros propósitos, como para calefacción.**

10. Para limpiar el aparato, no use limpiadores de vapor.

11. **NO TRATE NUNCA** de apagar el fuego con agua. Solo apague el circuito del dispositivo y luego cubra la llama con una cubierta o una manta ignífuga.

**12.** En caso de no poder vigilar adecuadamente a los menores de 8 años, deberá mantenerles lejos del aparato.

**13.** Debe evitarse tocar los elementos calientes.

**14. PRECAUCIÓN: El proceso de cocción deberá ser supervisado. El proceso de cocción siempre deberá ser supervisado.**

**15.** El aparato no es adecuado para su uso con un temporizador externo o un sistema de control remoto por separado.

**16.** Este dispositivo puede ser utilizado por niños mayores de 8 años, personas con problemas físicos, auditivos o mentales o personas con falta de experiencia o conocimiento, siempre que se garantice el control o se les proporcione información sobre los peligros.

**17.** Este dispositivo ha sido diseñado solo para uso doméstico.

**18.** Los niños no deben jugar con el aparato. La limpieza o el mantenimiento al aparato por parte del usuario no debe ser realizado por niños a menos que sean mayores de 8 años y sean supervisados por adultos.

**19.** Mantenga el aparato y su cable de alimentación lejos de niños menores de 8 años.

**20.** Coloque cortinas, tul, papel o cualquier material inflamable (inflamable) lejos del aparato antes de comenzar a usarlo. No coloque materiales inflamables encima o dentro del aparato.

**21.** Mantenga abiertos los canales de ventilación.

**22.** No caliente latas cerradas ni frascos de vidrio. La presión puede llevar a los tarros a explotar.

**23.** No use el producto estando bajo medicación y/o bajo la influencia del alcohol, que puede afectar su capacidad de buen juicio.

**24.** Después de cada uso, verifique si la unidad está apagada.

**25.** Tenga cuidado al usar alcohol en sus alimentos. El alcohol se evaporará a altas temperaturas y puede prenderse fuego y causar un incendio si entra en contacto con superficies calientes.

**26.** Si el aparato está defectuoso o tiene un daño visible, no lo haga funcionar.

**27.** No coloque objetos que puedan alcanzar los niños en el aparato.

**28.** Los materiales de embalaje son peligrosos para los niños. Mantenga los materiales de embalaje lejos del alcance de los niños.

**29.** La placa se puede desconectar de la corriente durante cualquier obra o trabajos en el hogar. Una vez que finalicen las obras, deberá ser el servicio técnico quien reinstale el aparato.

**30.** No coloque envases metálicos como cuchillos, tenedores o cucharas en la superficie del aparato, ya que se calientan.

**31.** Para evitar el sobrecalentamiento, el aparato no debe instalarse detrás de una cubierta decorativa.

**32.** Apague el aparato antes de quitar las protecciones. Después de limpiar, instale las protecciones de acuerdo con las instrucciones.

**33.** El punto de fijación del cable debe estar protegido.

**34. PRECAUCIÓN: Si el cristal de la placa está roto, apague inmediatamente cualquier calentador, y desenchufe la placa de la corriente; no toque la superficie de la placa ni utilice ésta.**

**35.** El usuario no debe manejar el horno solo.

**36.** El usuario debe tener cuidado al limpiar los quemadores de gas. Puede causar lesiones personales.

**37.** Dado que la placa está caliente durante la cocción y también durante cierto tiempo tras acabar, existe el riesgo de quemaduras tanto por el vapor como por la temperatura extrema.

**38.** Al estar encendidos los quemadores durante la cocción, y no apagados, el usuario puede sufrir quemaduras por contacto.

**39.** En caso de colocar elementos pesados sobre la placa, la carga que tienen puede caer o derramarse. Puede causar lesiones personales.

**40.** Se debe procurar que sea fácil desenchufar el aparato, tras su instalación, mediante una toma eléctrica accesible, o en su defecto, un interruptor acoplado en el cableado.

## Seguridad eléctrica

1. Conecte el aparato a un enchufe con conexión a tierra protegido por un fusible que cumpla con los valores especificados en el cuadro de especificaciones técnicas.

2. Haga que un electricista autorizado instale un equipo de puesta a tierra. Nuestra empresa no será responsable por los daños que se incurrirán debido al uso del producto sin conexión a tierra de acuerdo con las reglamentaciones locales.

**3. ADVERTENCIA: Si la superficie está agrietada, apague el aparato para evitar el riesgo de descarga eléctrica.**

4. NUNCA lave el producto rociando o vertiendo agua sobre él! Existe el riesgo de electrocución.

5. No toque el enchufe con las manos mojadas. No tire del cable para desconectarlo, siempre sostenga el enchufe.

6. Desenchufe la unidad durante la instalación, mantenimiento, limpieza y reparación.

7. Asegúrese de que el enchufe esté insertado firmemente en el tomacorriente de la pared para evitar chispas.

8. Si el cable de suministro de energía (el cable con enchufe) está dañado, este cable debe ser reemplazado por el fabricante o su agente de servicio o un personal igualmente calificado para evitar una situación peligrosa.

9. No use cables cortados o dañados o cables de extensión que no sean el cable original.

**10.** No use limpiadores a vapor para limpiar el aparato, de lo contrario puede ocurrir una descarga eléctrica.

**11.** Asegúrese de que no haya líquido o humedad en el tomacorriente donde está instalado el enchufe del producto.

**12.** Se requiere un interruptor omnipolar capaz de desconectar la fuente de alimentación para la instalación. La desconexión de la fuente de alimentación debe proporcionarse con un interruptor o un fusible integrado instalado en una fuente de alimentación fija de acuerdo con el código de construcción.

**13.** El cable de alimentación (el cable con enchufe) no debe entrar en contacto con las partes calientes del dispositivo.

**14.** Desenchufe la unidad durante la instalación, mantenimiento, limpieza y reparación.

**15.** El dispositivo está equipado con un cable **tipo “Y”**.

**16.** Los interruptores automáticos del horno deben colocarse de modo que el usuario final pueda alcanzarlos cuando el horno esté instalado.

**17.** Las conexiones fijas se deben conectar a una fuente de alimentación que permita la desconexión omnipolar. Para dispositivos con categoría de sobretensión por debajo de III, el dispositivo de desconexión se conectará a la fuente de alimentación fija de acuerdo con el código de cableado.

**18.** No quite los interruptores de encendido del aparato. De lo contrario, se puede acceder a los cables eléctricos vivos. Puede causar una descarga eléctrica.

### **Seguridad con gas**

**1.** Este aparato no está conectado a aparatos de evacuación de productos en combustión. Este aparato debe estar conectado e instalado de acuerdo con las normas de instalación vigentes. Se deben considerar las condiciones con respecto a la ventilación.

**2.** Cuando se usa un aparato de cocina a gas: humedad, calor y productos quemados se pueden generar en la habitación. En primer lugar, asegúrese de que la estufa esté bien ventilada cuando utilice el electrodoméstico y mantenga aberturas de ventilación naturales o instale un equipo de ventilación mecánica.

**3.** Después de usar el artefacto durante un período prolongado, es posible que se requiera ventilación adicional. Por ejemplo, abra una ventana o ajuste una velocidad más alta para la ventilación mecánica, si la hay.

**4.** Este electrodoméstico debe usarse solo en lugares bien ventilados de acuerdo con la normativa vigente. Lea el manual antes de instalar o usar este producto.

**5.** Antes de colocar el dispositivo, asegúrese de que las condiciones de la red local (tipo de gas y presión de gas) cumplan con los requisitos del dispositivo.

**6.** El mecanismo no se puede ejecutar por más de 15 segundos. Si el quemador no está encendido después de 15 segundos, detenga el mecanismo y espere al menos un minuto antes de tratar de encender el quemador de nuevo.

**7.** Todo tipo de operaciones a realizar en la instalación de gas debe ser realizado por personas autorizadas y competentes.

**8.** Este aparato está ajustado para gas natural (GN). Si tiene que usar su producto con un tipo de gas diferente, debe solicitar el servicio autorizado para la conversión.

**9.** Para una operación adecuada, la campana, el tubo de gas y la abrazadera deben reemplazarse periódicamente de acuerdo con las recomendaciones del fabricante y cuando sea necesario.

**10.** El gas debería arder bien en los productos a base de gas. El gas de combustión bien puede entenderse a partir de la llama azul y la combustión continua. Si el gas no se quema lo suficiente, se puede generar monóxido de carbono (CO). El monóxido de carbono es un gas incoloro, inodoro y muy tóxico, incluso pequeñas cantidades tienen un efecto letal.

**11.** Pregunte a su suministro de gas local sobre los números de teléfono para emergencias relacionadas con el gas y las medidas que se tomarán cuando se detecte el olor a gas.



## **Qué hacer cuando se detecta olor a gas**

1. No use llamas abiertas y no fume.
2. No opere ningún interruptor eléctrico. (Por ejemplo; interruptor de la lámpara o timbre de la puerta)
3. No use el teléfono ni el teléfono móvil.
4. Abra las puertas y ventanas.
5. Cierre todas las válvulas de los aparatos que utilizan gas y los contadores de gas.
6. Llame a los bomberos desde un teléfono fuera del hogar.
7. Verifique todas las mangueras y sus conexiones en busca de fugas. Si aún huele a gas, salga de la casa y advierta a sus vecinos.
8. No ingrese a la casa hasta que las autoridades aclaren que es seguro.

## **Uso previsto**

1. Este aparato está diseñado para uso en el hogar. El uso comercial del aparato no está permitido.
2. Este aparato solo se puede usar para cocinar. No debe usarse para otros fines, como calentar una habitación.
3. El fabricante no asume ninguna responsabilidad por los daños debidos al mal uso o mal manejo.
4. La vida operativa del producto que ha comprado es de 10 años. Este es el período durante el cual el fabricante proporciona los recambios necesarios para el funcionamiento de este producto según lo definido.

## Conexión Eléctrica

1. Las condiciones de configuración de este aparato están indicadas en la etiqueta o placa de datos.

2. Este aparato no está conectado a ningún aparato de descarga de productos de combustión. Debe ser conectado e instalado de acuerdo a la regulación de montaje aplicable.

3. Se debe prestar gran atención a las condiciones de ventilación relacionados.

4. Su aparato debe conectarse a un fusible adecuado en función de la energía eléctrica. Si es necesario, se recomienda que la instalación sea realizada a través del servicio autorizado.

3. Su aparato está configurado de acuerdo al suministro eléctrico de 220-240V 50/60Hz.

4. Si la red eléctrica principal es diferente a estos valores, póngase en contacto con su servicio técnico autorizado.

5. Solo se deben hacer conexiones eléctricas para su aparato a los fusibles que tengan una adecuada conexión a tierra con cable físico. Si no hay ningún fusible conveniente disponible en el lugar donde se va a instalar el aparato, contacte al servicio autorizado inmediatamente. El fabricante definitivamente no se hace responsable por los daños causados por fusibles sin conexión a tierra física a los que esté conectado el aparato.

6. El enchufe del aparato debe estar cerca para tener acceso fácilmente al fusible cuya puesta a tierra se realiza sin el uso de un cable de extensión.

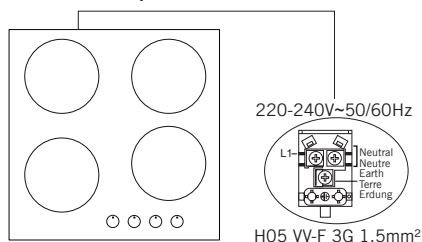
7. No permita el contacto del cable de alimentación de su aparato con las áreas calientes. Del mismo modo, manténgalo lejos de los bordes y esquinas filosas.

8. Si el cable de alimentación está dañado, este cable debe ser reemplazado ya sea por el fabricante o por su agencia de servicio o personal calificado al mismo nivel con el fin de evitar una situación peligrosa.

9. Una conexión eléctrica incorrecta puede dar lugar a daños en el aparato. En este caso, el aparato permanecerá fuera del ámbito de garantía. La conexión eléctrica del aparato debe ser realizada por el servicio autorizado.

### Esquema de conexión eléctrica

Obtenga una conexión eléctrica para su aparato con una persona autorizada de acuerdo con el siguiente esquema.



## Conexión De Gas

**ADVERTENCIA:** Antes de comenzar cualquier trabajo relacionado con la instalación de gas, cierre el suministro de gas. Riesgo de explosión.

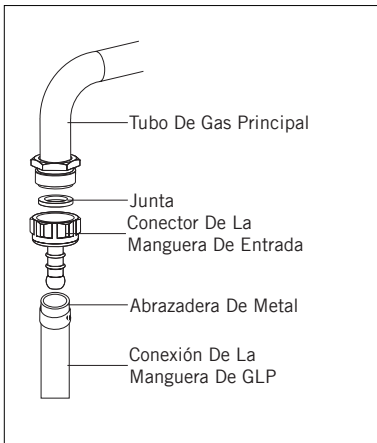
1. Conecte el aparato a la llave de gas desde el camino más corto y de una manera que evite fugas. Por razones de seguridad, la manguera utilizada debe ser como máximo de 125 cm y como mínimo de 40 cm.

2. Al hacer una revisión de fugas de gas, nunca use un fósforo, cigarrillo brillante o materiales inflamables similares.

3. Aplique jabón que haga burbujas en el punto de la conexión. Si existe cualquier fuga, se formarán burbujas/espuma en la región enjabonada.

4. Si la estufa de mesa va a ser montada en un armario o un cajón que se puede abrir, se debe montar un panel de protección de calor con una apertura mínima de 15 mm debajo de la placa de cocción.

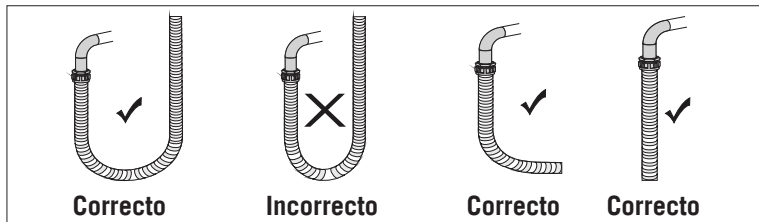
### Conexión GLP;



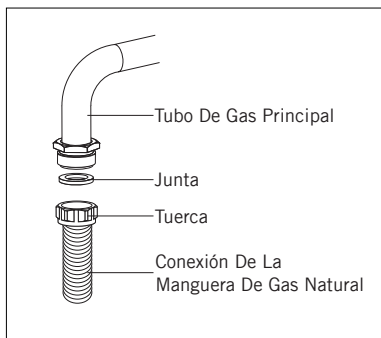
Para la conexión de GLP (cilindro), coloque la abrazadera de metal en la manguera que sale del cilindro de GLP. Fije un borde de la manguera en el conector de entrada de la manguera detrás del aparato empujando en el extremo a través del calentamiento de la manguera en agua hervida. Después, ponga la abrazadera hacia la parte final de la manguera y apriete con un destornillador. El conector de entrada de la junta y la manguera necesarios para la conexión son como se muestra en la imagen a continuación.

**NOTA:** El regulador colocado en el cilindro de GLP debe tener la característica 300 mmSS.

**ADVERTENCIA:** La manguera de gas y la conexión eléctrica del aparato no deben pasar junto a zonas calientes como es la parte posterior del aparato. La manguera de gas se debe conectar haciendo que un ángulo abierto gire para evitar la posibilidad de que se rompa. El movimiento del aparato con conexión de gas puede causar una fuga de gas.



**Conexión gas natural;**

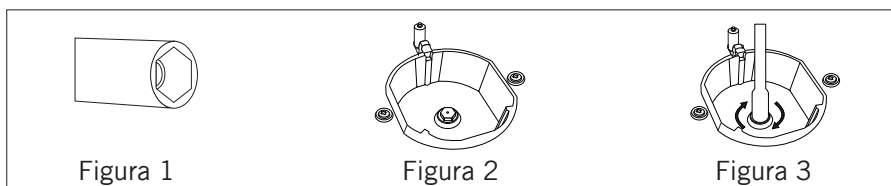


**ADVERTENCIA:** La conexión de gas natural solo se debe hacer a través del servicio autorizado.

Para la conexión de gas natural, coloque la junta en la tuerca en el extremo de la manguera de conexión de gas natural. Para instalar la manguera en la tubería principal de gas, gire la tuerca. Complete la conexión al hacer la revisión de fugas de gas.

**Transformación de gas natural a GLP y de GLP a gas natural**

1. Cierre el gas y apague la electricidad de la encimera. Si la encimera está caliente, espere para que se enfríe.
2. Para el cambio del inyector, utilice un destornillador cuya cabeza sea como el de la figura 1.
3. Como se observa en la figura 2, desmonte la tapa del quemador y el quemador de la encimera y asegure la visibilidad del inyector.
4. Retire el inyector girando como se muestra en la figura 3 con un destornillador y sustitúyalo por uno nuevo.



5. Después de eso, desconecte los interruptores de control de la encimera. Haga el ajuste girando el tornillo en el medio de las llaves de gas con un destornillador pequeño en la forma que se muestra en la siguiente imagen. Para ajustar el tornillo de velocidad de flujo, utilice un destornillador con la dimensión adecuada. Para GLP, gire el tornillo en el sentido de las manecillas del reloj. Para el gas natural, gire el tornillo una vez en contra de las manecillas del reloj. En posición baja, la duración de la flama normal debe ser de 6-7 mm.

Para la última revisión, vea si la flama está abierta o cerrada. Configurar su aparato puede variar según el tipo de gas utilizado.

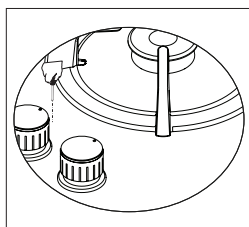


Figura 4

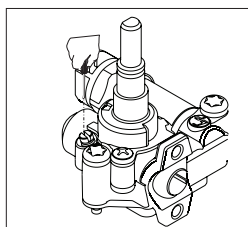


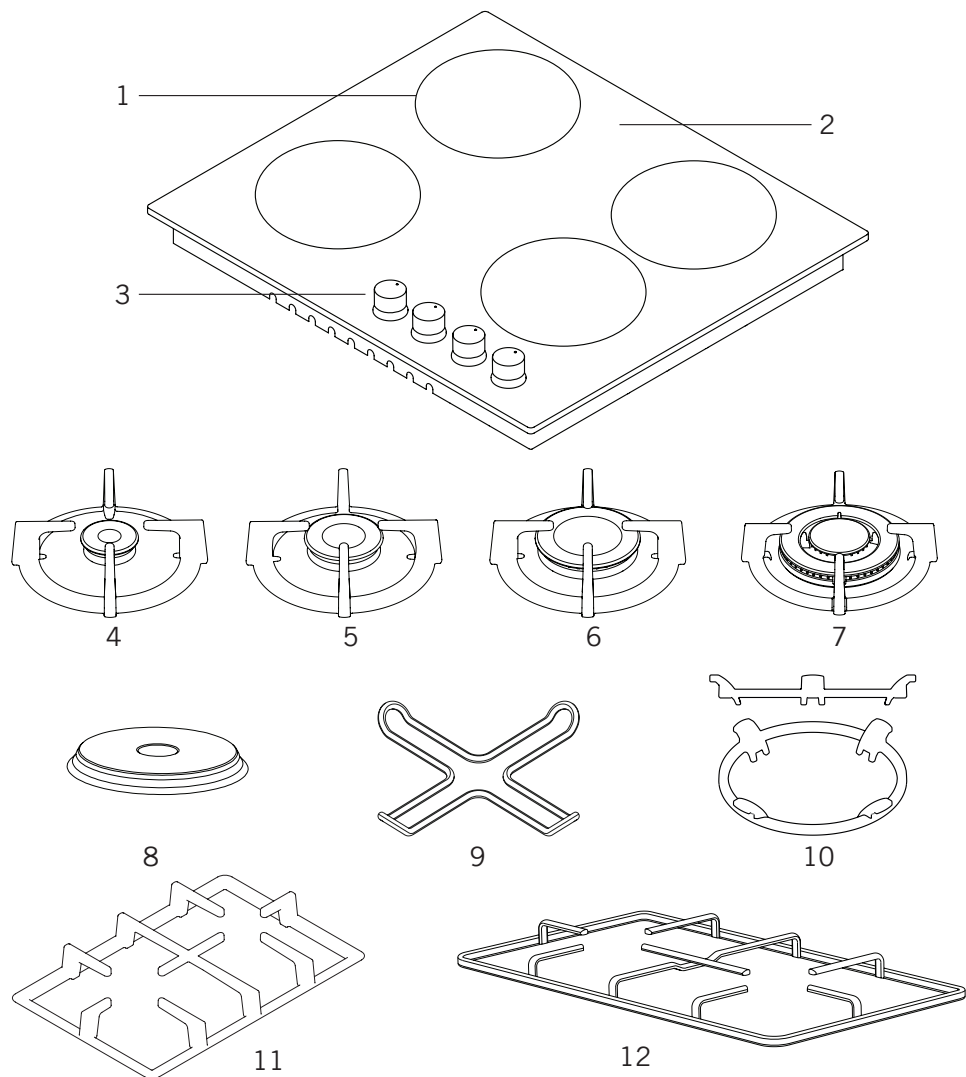
Figura 5

### Ventilación de la habitación

El aire necesario para la combustión se recibe del aire de la habitación y los gases emitidos se dan directamente en la habitación. Para un funcionamiento seguro de su producto, una buena ventilación de la sala es una condición previa. Si no hay ninguna ventana o espacio para ser utilizados para la ventilación de la habitación, se debe instalar una ventilación adicional. Sin embargo, si la habitación tiene una puerta hacia el exterior, no es necesario realizar los orificios de ventilación.

Tamaño de la habitación	Apertura de ventilación
Menor de 5 m <sup>3</sup>	mín. 100 cm <sup>2</sup>
Entre 5 m <sup>3</sup> - 10 m <sup>3</sup>	mín. 100 cm <sup>2</sup>
Mayor de 10 m <sup>3</sup>	no necesario
En sótano o bodega	mín 65 cm <sup>2</sup>

## INTRODUCCIÓN DEL APARATO



1. Posiciones del quemador
2. Superficie de vidrio o metal
3. Botones de control
4. Quemador pequeño
5. Quemador mediano
6. Quemador grande

7. Quemador wok \*
8. Placa de calor \*
9. Adaptador para café \*
10. Adaptador para el quemador de wok \*
11. Parrilla fundida
12. Parrilla esmaltada

## Características Técnicas

Puede utilizar las superficies de las encimera eléctrica girando el botón en el panel de control que desea utilizar para el nivel que desea. La encimera se enciende a medida que los niveles se dan como en la siguiente tabla.

Propiedades	Nivel 1	Nivel 2	Nivel 3	Nivel 4	Nivel 5	Nivel 6
Ø80 mm placa caliente	200 W	250 W	450 W	---	---	---
Ø145 mm placa caliente	250 W	750 W	1000 W	---	---	---
Ø180 mm placa caliente	500 W	750 W	1500 W	---	---	---
Ø145 mm rápido placa caliente	500 W	1000 W	1500 W	---	---	---
Ø180 mm rápido placa caliente	850 W	1150 W	2000 W	---	---	---
Ø145 mm placa caliente	95 W	155 W	250 W	400 W	750 W	1000 W
Ø180 mm placa caliente	115 W	175 W	250 W	600 W	850 W	1500 W
Ø145 mm rápido placa caliente	135 W	165 W	250 W	500 W	750 W	1500 W
Ø180 mm rápido placa caliente	175 W	220 W	300 W	850 W	1150 W	2000 W
Tensión de suministro	220-240 V 50/60 Hz.					

## Inyector, flujo de gas y potencia mesa

Quemador características técnicas	G20,20 mbar G25,25 mbar			G20,25 mbar		G20,13 mbar	
	Gás natural			Gás natural		Gás natural	
Wok Quemador (3,5)	Inyector	1,40	mm	1,28	mm	1,60	mm
	Flujo de gas	0,333	m³/h	0,333	m³/h	0,333	m³/h
	Potencia	3,50	kW	3,50	kW	3,50	kW
Wok Quemador (2,5)	Inyector	1,15	mm	1,06	mm	1,35	mm
	Flujo de gas	0,243	m³/h	0,243	m³/h	0,243	m³/h
	Potencia	2,50	kW	2,50	kW	2,50	kW
Rápido Quemador	Inyector	1,15	mm	1,10	mm	1,45	mm
	Flujo de gas	0,276	m³/h	0,276	m³/h	0,276	m³/h
	Potencia	2,90	kW	2,90	kW	2,90	kW
Semi-Rápido Quemador	Inyector	0,97	mm	0,92	mm	1,10	mm
	Flujo de gas	0,162	m³/h	0,162	m³/h	0,162	m³/h
	Potencia	1,70	kW	1,70	kW	1,70	kW
Quemador Pequeño	Inyector	0,72	mm	0,70	mm	0,85	mm
	Flujo de gas	0,96	m³/h	0,96	m³/h	0,96	m³/h
	Potencia	0,95	kW	0,95	kW	0,95	kW

Quegador características técnicas	G30,28-30 mbar G31,37 mbar			G30,50 mbar		G30,37 mbar	
	LPG			LPG		LPG	
Wok Quemador (3,5)	Inyector	0,96	mm	0,76	mm	0,96	mm
	Flujo de gas	254	g/h	254	g/h	254	g/h
	Potencia	3,50	kW	3,50	kW	3,50	kW
Wok Quemador (2,5)	Inyector	0,82	mm	0,73	mm	0,78	mm
	Flujo de gas	182	g/h	182	g/h	182	g/h
	Potencia	2,50	kW	2,50	kW	2,50	kW
Rápido Quemador	Inyector	0,85	mm	0,75	mm	0,85	mm
	Flujo de gas	211	g/h	211	g/h	211	g/h
	Potencia	2,90	kW	2,90	kW	2,90	kW
Semi-Rápido Quemador	Inyector	0,65	mm	0,60	mm	0,65	mm
	Flujo de gas	124	g/h	124	g/h	124	g/h
	Potencia	1,70	kW	1,70	kW	1,70	kW
Quegador Pequeño	Inyector	0,50	mm	0,43	mm	0,50	mm
	Flujo de gas	69	g/h	69	g/h	69	g/h
	Potencia	0,95	kW	0,95	kW	0,95	kW

**ADVERTENCIA:** Los valores de diámetro escritos en el inyector se especifican sin una coma. Por ejemplo: el diámetro de 1,70 mm se especifica como 170 en el inyector.

**ADVERTENCIA:** Para que el servicio autorizado realice la modificación, se debe tomar en consideración esta tabla. El fabricante no se hace responsable de cualquier problema que surja debido a cualquier modificación defectuosa.

**ADVERTENCIA:** Para aumentar la calidad del producto, las especificaciones técnicas pueden modificarse sin previo aviso.

**ADVERTENCIA:** Los valores indicados en el aparato o en la documentación que lo acompaña, son lecturas de laboratorio de acuerdo con la correspondiente normativa. Estos valores pueden variar según el uso y las condiciones ambientales.



## INSTALACIÓN DE LA PLACA DE COCCIÓN

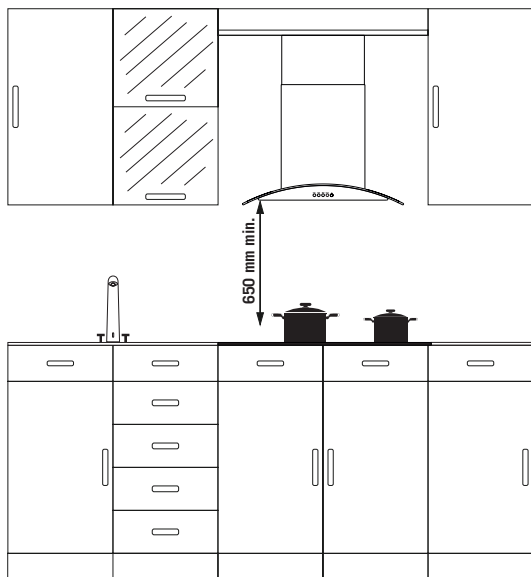
Verifique si la instalación eléctrica es adecuada para poner el aparato en funcionamiento. Si la instalación de electricidad no es adecuada, llame a un electricista y un plomero para organizar los servicios públicos según sea necesario. El fabricante no se hace responsable de los daños causados por las operaciones realizadas por personas no autorizadas.

**ADVERTENCIA:** Es responsabilidad del cliente preparar la ubicación donde se colocará el producto y también tener preparada la instalación eléctrica.

**ADVERTENCIA:** Se deben seguir las reglas en los estándares locales sobre instalaciones eléctricas durante la instalación del producto.

**ADVERTENCIA:** Verifique que no haya daños en el aparato antes de instalarlo. No instale el aparato si está dañado. Los productos dañados causan un riesgo para su seguridad.

### El Lugar Correcto Para La Instalación



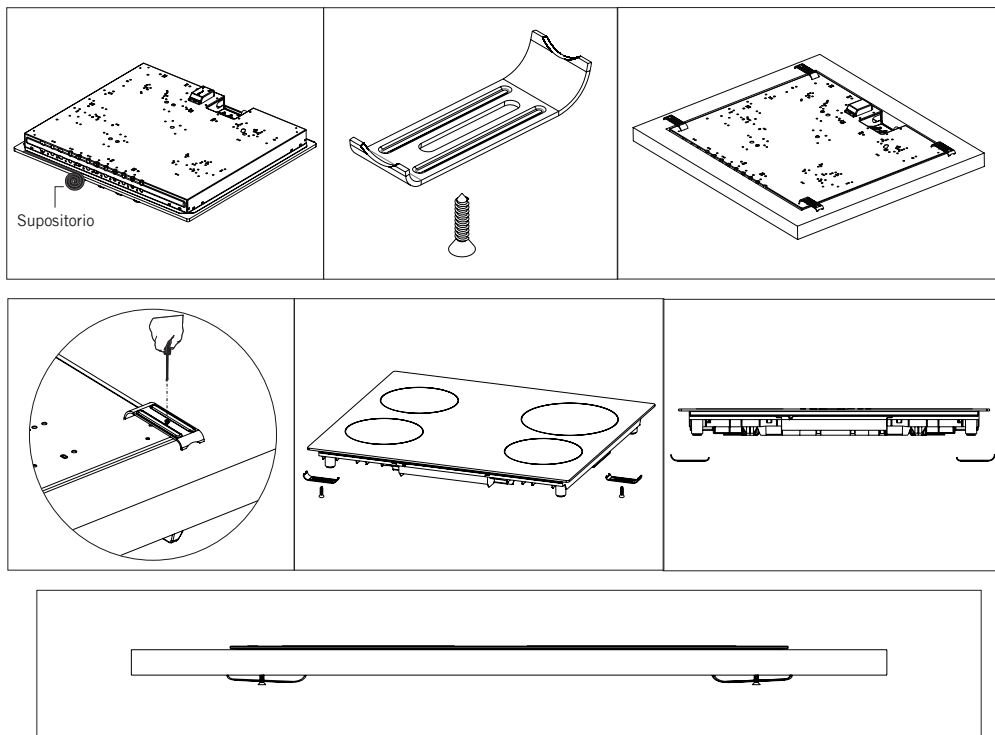
El producto está diseñado de acuerdo con los mostradores de cocina que hay disponibles en el mercado. Debe dejarse una distancia de seguridad entre las paredes y los muebles de cocina. Si una campana / extractor se instalará sobre el aparato, siga la recomendación del fabricante de la campana / extractor para la altura de montaje. (mín. 65 cm). La brecha a la que la encimera se va a colocar en el mostrador se debe cortar en línea con las dimensiones de instalación de la encimera.

Para la instalación del producto, deben cumplirse las reglas especificadas en las normas locales relacionadas con la electricidad.

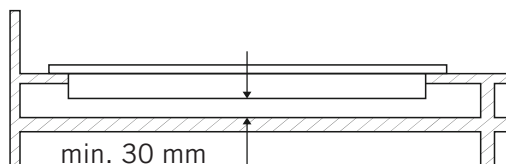
## Instalación

1. Separe los quemadores, capuchas de los quemadores y las parrillas del producto.
2. Gire la encimera de mesa hacia abajo y colóquela en una superficie suave.
3. Con el fin de evitar la entrada de sustancias extrañas y líquidos entre la encimera y el mostrador, aplique la pasta proporcionada en el paquete a los lados de la guarda inferior del mostrador. Para las esquinas, enrolle la pasta y aumente los rizos hasta llenar los vacíos de la esquina.
4. Encienda la encimera de nuevo y alíniela con y colóquela en el mostrador.
5. Fije su encimera en el mostrador mediante el uso de la abrazadera y los tornillos suministrados.

## Diagrama de Instalación



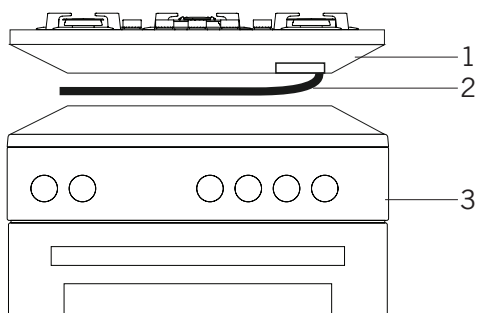
6. Cuando el producto está montado en un cajón, si es posible tocar el lado inferior del producto, esta sección debe separarse con un estante de madera.



7. Al instalar la encimera en un armario, como se muestra en la figura anterior, con el fin de separar entre el armario y la encimera, se debe montar un estante. Si se monta en un horno empotrado, no hay necesidad de hacer eso.

8. Si su encimera se instalará junto a la pared derecha o izquierda, la distancia mínima entre la pared y la encimera debe ser 50 mm.

### Si Tiene Un Horno Integrado Debajo De La Encimera;

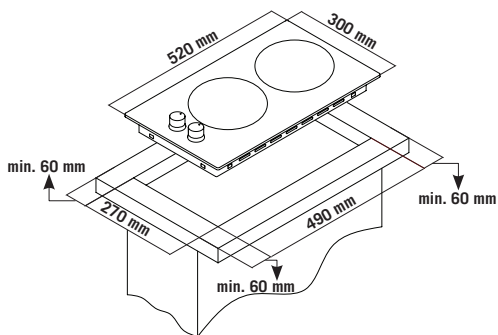


1. Encimera
2. Manguera
3. Horno

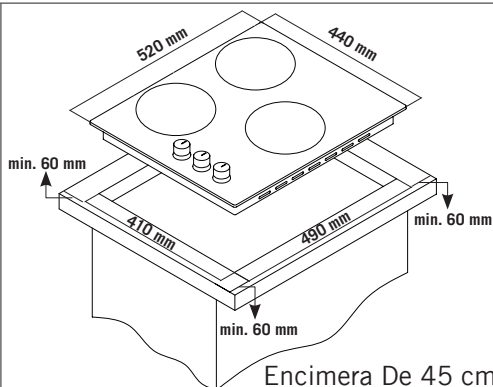
El tubo de gas debe colocarse de manera que no toque el horno, los bordes y las esquinas afiladas, y no ser tirado de manera que se pueda torcer y tensar. Realice la conexión de gas en la parte derecha de la encimera, sujete la manguera con una abrazadera.

## Tamaño Del Huevo En La Encimera

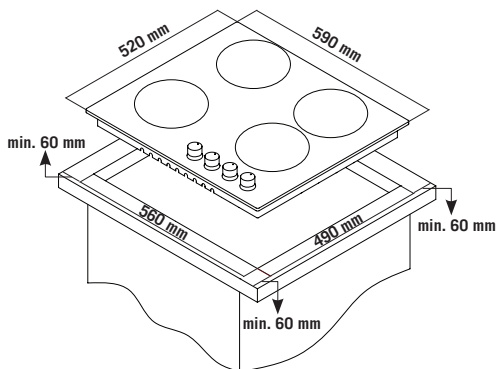
Preste atención a los dibujos y dimensiones que figuran a continuación al hacer la instalación de la encimera y el ajuste de tamaños de corte del mostrador.



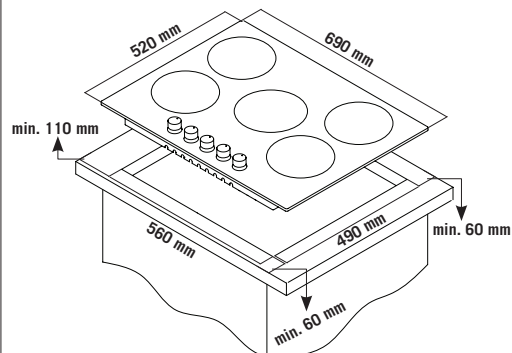
Encimera De 30 cm



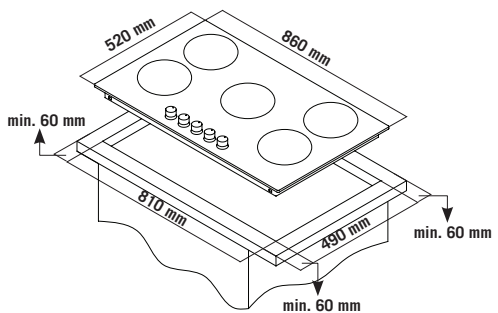
Encimera De 45 cm



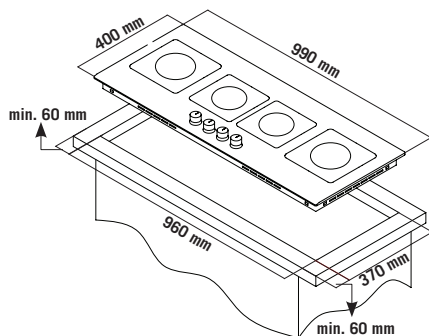
Encimera De 60 cm



Encimera De 70 cm



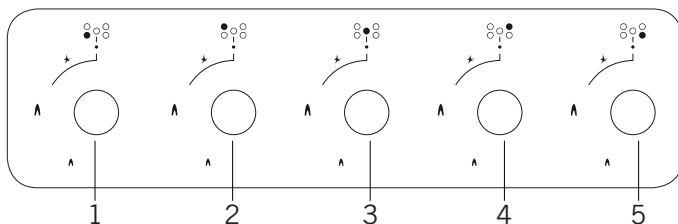
Encimera De 90 cm



Encimera De 100 cm

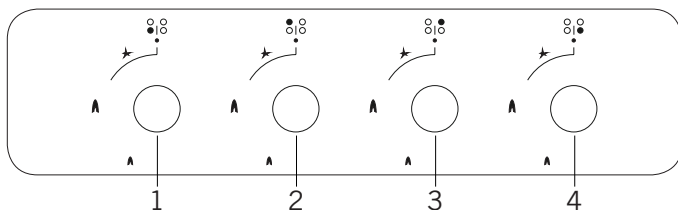
## PANEL DE CONTROL

### Panel Visual De La Estufa De Mesa De 70-90 cm y 100 cm



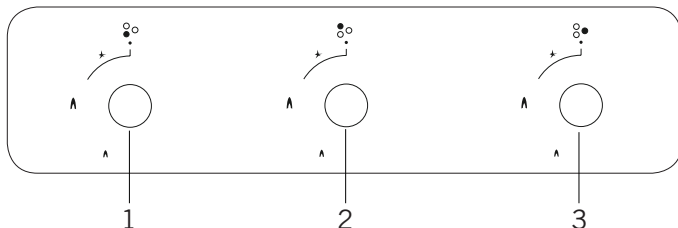
1. Quemador delantero izquierdo
2. Quemador trasero izquierdo
3. Quemador para wok
4. Quemador trasero derecho
5. Quemador delantero derecho

### Panel Visual De La Estufa De Mesa De 60 cm



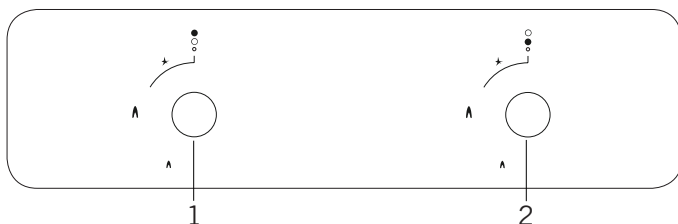
1. Quemador delantero izquierdo
2. Quemador trasero izquierdo
3. Quemador trasero derecho
4. Quemador delantero derecho

### Panel Visual De La Estufa De Mesa De 45 cm



1. Quemador inferior izquierdo
2. Quemador superior izquierdo
3. Quemador derecho

### Panel Visual De La Estufa De Mesa De 30 cm



1. Quemador inferior
2. Quemador superior

**ADVERTENCIA:** El panel de mandos de arriba es solo para fines ilustrativos. Considere el panel de mandos en su dispositivo.

## USO DE SU ENCIMERA

1. Antes de comenzar a utilizar su encimera, asegúrese de que las capuchas de los quemadores estén en la posición correcta. La correcta colocación de las capuchas de los quemadores se muestra en la figura siguiente.

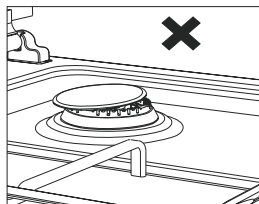


Figura 6

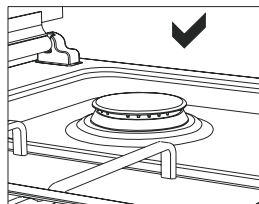
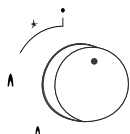


Figura 7

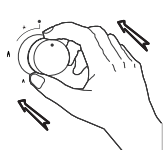
2. Los quemadores de gas tienen un mecanismo especial de bloqueo. Por lo tanto, para operar la zona de la encimera, pulse el botón y mientras abre o cierra la perilla, mantenga presionado el botón.

3. ● Cerrado 🔥 Completamente abierto 🔥 Abierto a la mitad

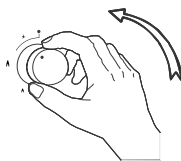
4. Para los modelos automáticos el encendido es electrónico. Por lo tanto, antes de usar el aparato, asegúrese de esté conectado a la electricidad. El encendido para estos modelos es el siguiente.



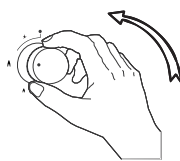
La perilla de la encimera está en la posición cerrado.



Para encender la encimera, en primer lugar, pulse el botón hacia adentro.



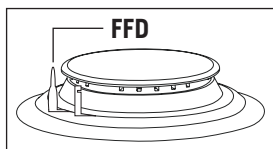
Mientras mantiene pulsado el botón, los pasos para el encendido se activan y se realiza el encendido.



Girando la perilla izquierda mientras sigue pulsado, podrá encender a longitud de la llama que desea.

4. Preste atención a que las parrillas de la encimera se coloquen completamente sobre la placa de la encimera. En caso de fallo al realizar esta operación, el vertido de los materiales colocados arriba podría volcarse.

5. Para los modelos que tienen cerrado de seguridad de gas, tras la realización del procedimiento de encendido de acuerdo con las pautas anteriores, espere 5-10 segundos con el botón pulsado sin quitar las manos. El mecanismo de seguridad intervendrá esta duración y garantizará el funcionamiento de la encimera. Con respecto al cierre de gas del aparato, la llave de gas corta el gas que va hacia la encimera en el caso de que se apague la flama de la encimera debido a cualquier razón.



**6. El dispositivo de seguridad de corte de flama (FFD, por sus siglas en inglés) \*: opera instantáneamente cuando el mecanismo de seguridad se activa debido al exceso de líquido sobre las placas superiores.**

7. Mientras utiliza el aparato de cafetera suministrado junto con la superficie de cocción, asegúrese de que los pies del aparato estén colocados en la parrilla de la cocina exactamente y permanezcan en la zona de la cocina de manera centrada. Use el aparato solo en un quemador pequeño.

8. Al utilizar encimera de gas, al usar una cacerola, colóquela sobre la superficie de cocción tan lejos como sea posible. De ese modo podrá ahorrar energía. En la siguiente tabla se muestran los diámetros de la cacerola de cocción recomendados para ser utilizados según el orden de los quemadores.

9. Asegúrese de que las rejillas estén completamente asentadas sobre la placa de la estufa. Si la rejilla no está bien asentada, esto puede causar que se derramen materiales sobre ella.

10. Coloque las ollas y sartenes de manera que sus asas no queden encima de los quemadores para evitar que estas se calienten.

11. Coloque la cantidad adecuada de comida en las ollas y sartenes. De este modo evitará tener que limpiar el derrame por sobre llenado innecesario.

12. El tamaño del recipiente y la flama de gas deben coincidir entre sí. Modifique la flama de gas para que no se extiendan más allá de la base del recipiente.

13. No use recipientes que sean inestables y que puedan volcarse fácilmente sobre la estufa.

14. No ponga ollas y sartenes vacíos sobre los quemadores con flama encendida.

15. Siempre cierre el flujo de gas a los quemadores después de cada uso.

16. No coloque recipientes que puedan verse afectados por el calor.

17. No accione los quemadores sin colocar ollas y sartenes sobre ellos.

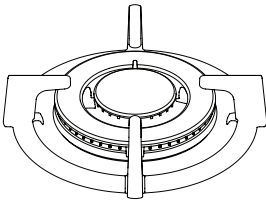
18. No coloque las tapas de las ollas y sartenes sobre los quemadores.

19. Cuando desee cambiar la olla o sartén a otro quemador, levante la olla y colóquela en el lugar deseado en lugar de deslizarla.

20. Mantenga abierta la tapa del recipiente que utilice para calentar el aceite.

21. No vierta aceite a un volumen superior de un tercio de la sartén. No deje el aceite desatendido cuando se está calentando. Los aceites extremadamente calientes pueden provocar incendios.

### Wok Quemador \*



La característica de la zona wok de la encimera es que es de rápida cocción. Como posee un sistema de doble anillo de llama, permite una distribución de calor homogénea en el fondo de la cacerola y una cocción a alta temperatura. Eliminar: Es ideal para el corto plazo y la alta temperatura de cocción. Cuando

se desea utilizar la cacerola regular de cocción en el quemador para wok, es necesario que quite el soporte para wok de la encimera.



## Tamaños De Los Cazos

Los diámetros recomendados para las ollas y sartenes se encuentran en las siguientes tablas.

Placas de vidrio	30 cm estufa	45 cm estufa	60 cm control de la mano	60 cm delante de control	70 cm delante de control	90 cm delante de control
Quemador pequeño	12-18 cm	12-18 cm	12-18 cm	12-18 cm	12-18 cm	12-18 cm
Semi-rápido quemador	---	18-20 cm	18-20 cm	18-20 cm	18-20 cm	18-22 cm
Rápido quemador	18-24 cm	22-24 cm	22-24 cm	22-24 cm	22-24 cm	22-26 cm
Wok quemador	24-26 cm	---	24-26 cm	24-26 cm	24-26 cm	26-30 cm

Placas de metálicas	30 cm estufa	45 cm estufa	60 cm control de la mano	60 cm delante de control	70 cm delante de control	90 cm delante de control
Quemador pequeño	12-18 cm	12-18 cm	12-18 cm	12-18 cm	12-18 cm	12-18 cm
Semi-rápido quemador	---	18-20 cm	18-20 cm	18-20 cm	18-20 cm	18-22 cm
Rápido quemador	18-22 cm	22-24 cm	22-26 cm	22-24 cm	22-24 cm	22-26 cm
Wok quemador	24-26 cm	24-26 cm	24-26 cm	24-26 cm	24-26 cm	26-32 cm

**ADVERTENCIA:** La olla de cocción para ser utilizada con los productos debe tener un mínimo de 120 mm de diámetro.



Las salpicaduras y el desbordamiento pueden causar daños a la superficie de la estufa y a la llama.



No utilice recipientes con bases convexas o cóncavas.



Si el diámetro de la olla o sartén es más pequeño que el diámetro del quemador, este desperdiciará energía calorífica.



Use ollas y sartenes con bases planas solamente.

## MANTENIMIENTO Y LIMPIEZA

Antes de empezar con el mantenimiento o la limpieza, primero desconecte el enchufe de suministro de energía eléctrica y cierre la válvula de gas de la encimera. Si la encimera está caliente, espere para que se enfríe.

**1.** Con el fin de que su encimera tenga una vida larga y económica, se debe realizar limpieza y mantenimiento regular en su estufa.

**2.** No limpie su encimera con herramientas tales como cepillo de cerdas, lana de acero o un cuchillo. No utilice materiales abrasivos para raspar, ácidos o detergentes.

**3.** Limpie las siguientes partes de su encimera con un paño con jabón, enjuague, luego enjuague bien con un paño suave.

**4.** Limpie las superficies de vidrio con sustancias de limpieza especiales para vidrio. Debido a que el rascado de superficies de cristal conduce a la ruptura, mientras limpia las superficies de vidrio, no utilice limpiadores abrasivos o rascadores metálicos afilados.

**5.** No limpie su estufa de mesa con limpiadores de vapor.

**6.** Limpie los canales y las tapas de las zonas de la superficie de cocción con agua jabonosa y los canales de gas con un cepillo.

**7.** En el curso de la limpieza de su encimera, nunca utilice materiales inflamables, tales como el ácido, aguarrás y gas.

**8.** No lave las piezas de plástico y de aluminio de su encimera en el lavavajillas.

**9.** Limpie el vinagre, el limón, la sal, el refresco de cola y sustancias ácidas y alcalinas similares vertidas sobre su encimera de inmediato.

**10.** Con el tiempo, los botones de la encimera giran con dificultad o ya no giran, en tales circunstancias, puede ser necesario que los botones sean cambiados. El cambio solo se debe hacer a través del servicio autorizado.

## SOLUCIÓN DE PROBLEMAS

Puede resolver los problemas que puede encontrar con su producto al verificar los siguientes puntos antes de llamar al servicio técnico.

### Puntos de verificación

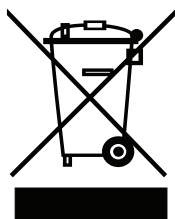
En caso de tener problemas con la placa, en primer lugar revise la tabla siguiente y pruebe las sugerencias.

Problema	Causa posible	Solución
<b>Sin encendido.</b>	Sin chispa	Revise el suministro eléctrico.
	La tapa de la placa no está correctamente instalada.	Ajústela debidamente.
	El paso del gas está cerrado.	Ábralo por completo.
<b>Mal encendido.</b>	Paso de gas medio abierto.	Ábralo por completo.
	La tapa de la placa no está correctamente instalada.	Ajústela debidamente.
	El dispositivo de encendido está obstruido.	Limpiar con un paño.
	Los quemadores están mojados.	Secarlos detenidamente.
	Los orificios de distribución de gas del quemador están obstruidos.	Limpiarlos correctamente.
<b>Se produce ruido al quemar el gas o durante el encendido.</b>	La tapa de la placa no está correctamente instalada.	Ajústela debidamente.
<b>La llama se apaga durante el uso.</b>	El dispositivo de la llama está obstruido	Límpielo bien.
	La llama se apaga al desbordarse la comida en cocción	Apagar la placa. Esperar un minuto y encender otra vez
	La llama se apaga por un golpe de aire	Compruebe el quemador y la zona de cocción para detectar corrientes de aire, por ejemplo, de una ventana abierta. Esperar un minuto y encender otra vez.
<b>Llama amarilla.</b>	Los orificios de distribución de gas del quemador están obstruidos.	Limpiarlos correctamente.
	Se está utilizando un tipo de gas diferente.	Comprobar qué tipo de gas se está utilizando.
<b>Llama inestable.</b>	La tapa de la placa no está correctamente instalada.	Ajústela debidamente.
<b>Olor a gas.</b>	Llave del gas abierta.	Comprobar si está abierta la llave del gas de alguno de los quemadores.
	Fugas en los acoples de la bombona de gas, o en la manguera de conexión a la placa.	Asegurarse de que las conexiones y la manguera sean a prueba de fugas, y de que no haya ninguna fuga tampoco.
<b>El encendedor no funciona.</b>	El dispositivo de encendido o su extremo están obstruidos.	El dispositivo de encendido o su extremo están obstruidos.
	Los tubos del quemador de gas están obstruidos.	Limpie los tubos del quemador de gas.

## REGLAS DE MANIPULACIÓN

1. Realice el movimiento y el transporte en el embalaje original.
2. Preste la máxima atención al aparato mientras es cargado / descargado y manipulado.
3. Asegúrese de que el embalaje esté bien cerrado durante la manipulación y el transporte.
4. Proteja de factores externos (como humedad, agua, etc.) que puedan dañar el embalaje.
5. Tenga cuidado de no dañar el aparato debido a golpes, colisiones, caídas, etc. mientras lo manipula y transporta, y no lo rompa ni lo deforme durante el funcionamiento.

## ELIMINACIÓN RESPETUOSA CON EL MEDIO AMBIENTE



Deshágase del embalaje de una manera respetuosa con el medio ambiente.

El aparato está etiquetado según la directiva europea 2012/19/EU sobre aparatos eléctricos y electrónicos usados (residuos de equipo eléctrico y electrónico - WEE por sus siglas en inglés). La directiva establece el marco para la devolución y el reciclaje de aparatos usados como corresponde en toda la UE.

## INFORMACIÓN SOBRE EL EMBALAJE

El embalaje del aparato se fabrica con materiales reciclables, de acuerdo con nuestro Reglamento Nacional sobre Medio Ambiente. No elimine los materiales de embalaje junto con los residuos domésticos o de otro tipo. Llévelos a uno de los puntos de reciclaje designado por las autoridades locales.